

# 2011



- Instalation accesories
- XLR, jack, safety & vent. panels
- cases, adapters, stage boxes
- lamps with or without dimmer
- rackmount storage, open boxes
- media storage & sliding rackshelves

## PANELS

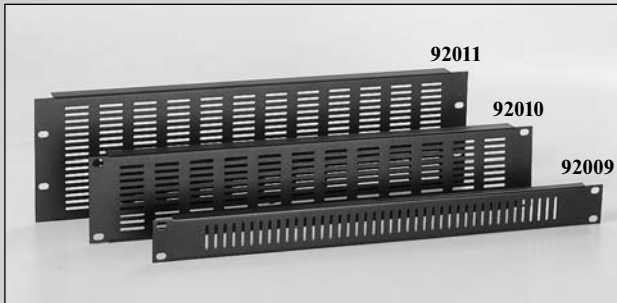
**Series: BPF** Flanged economical 1.5 mm steel blank panels. Black powder coat finish.

92001	1U-Upanel	0,34 kg
920010	1/2U-Upanel	0,15 kg
92002	2U-Upanel	0,59 kg
92003	3U-Upanel	0,85 kg
92004	4U-Upanel	1,10 kg



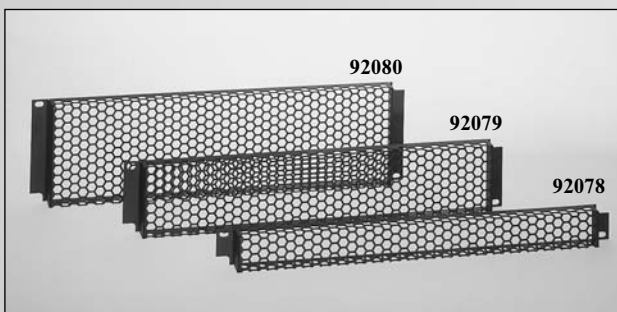
**Series: BPA** The lightweight 1.6–2.0 mm aluminium construction found in the BPF-series makes for easy machining. Flanged for extra strength. Black powder coat finish.

91001	1U-Upanel	0,16 kg
91002	2U-Upanel	0,23 kg
91003	3U-Upanel	0,32 kg
91004	4U-Upanel	0,41 kg



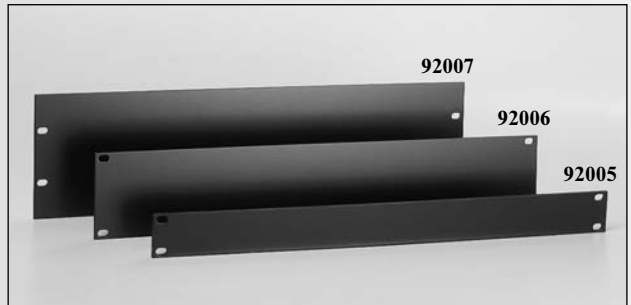
**Series: VPF** Value in a flanged design utilizing 1.5 gage steel construction. Punched by tool 3x25 mm or typ A tool 4.5x30 mm. Black powder coat finish.

920090	1/2U-Upanel	0,12 kg
92009A	1U-Upanel	0,27 kg
92009	1U-Upanel	0,28 kg
92010	2U-Upanel	0,47 kg
92010A	2U-Upanel	0,47 kg
92011	3U-Upanel	0,66 kg
92011A	3U-Upanel	0,66 kg
92012	4U-Upanel	0,82 kg
92012A	4U-Upanel	0,82 kg



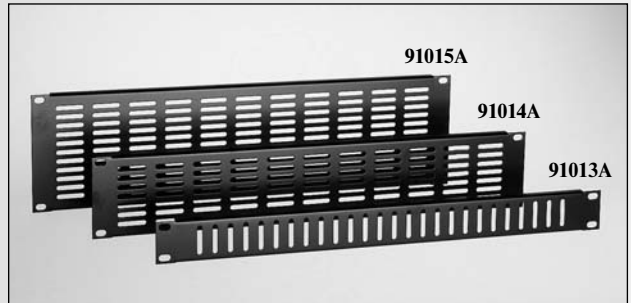
**Series: PF** Flat style economical 1.5 mm steel blank panels. Black powder coat finish.

92005	1U-Upanel	0,20 kg
92006	2U-Upanel	0,50 kg
92007	3U-Upanel	0,70 kg
92008	4U-Upanel	1,00 kg



**Series: PA** Eye-pleasing aesthetic and flat, aluminium construction combine in this easy-to-machine series of blank panels.

91009	1U-panel	0,11 kg
91009E	1U-panel-anodized	0,11 kg
91010	2U-panel	0,24 kg
91010E	2U-panel-anodized	0,22 kg
91011	3U-panel	0,26 kg
91011E	3U-panel-anodized	0,26 kg
91012	4U-panel	0,48 kg
91012E	4U-panel-anodized	0,44 kg



**Series: VPA** Value in a flanged design utilizing 1.6–2,0 gage aluminum construction. Punched by tool 3x25 mm or typ A tool 4.5x30 mm. Black powder coat finish.

91013	1U-Upanel	0,10 kg
91013A	1U-Upanel	0,10 kg
91014	2U-Upanel	0,19 kg
91014A	2U-Upanel	0,19 kg
91015	3U-Upanel	0,26 kg
91015A	3U-Upanel	0,26 kg
91016	4U-Upanel	0,34 kg
91016A	4U-Upanel	0,34 kg

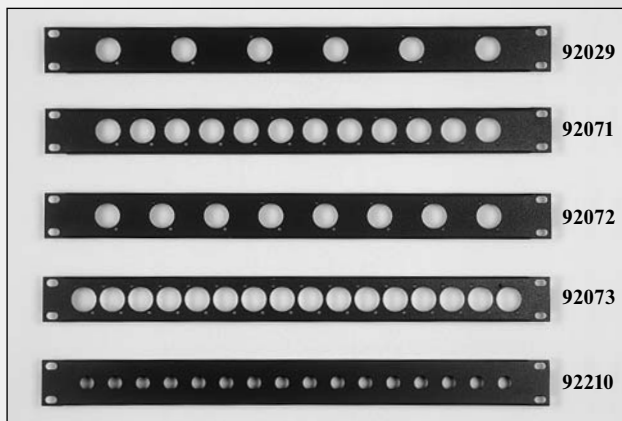
**Series: SPF** Perforated steel panel to secure equipment. Black powder coating.

92078	1U-Upanel-Safety	0,43 kg
92079	2U-Upanel-Safety	0,46 kg
92080	3U-Upanel-Safety	0,54 kg
92081	4U-Upanel-Safety	0,67 kg

**Series: SPA** The same design as SPF but constructed from 1.6 mm aluminium. Black powder coating.

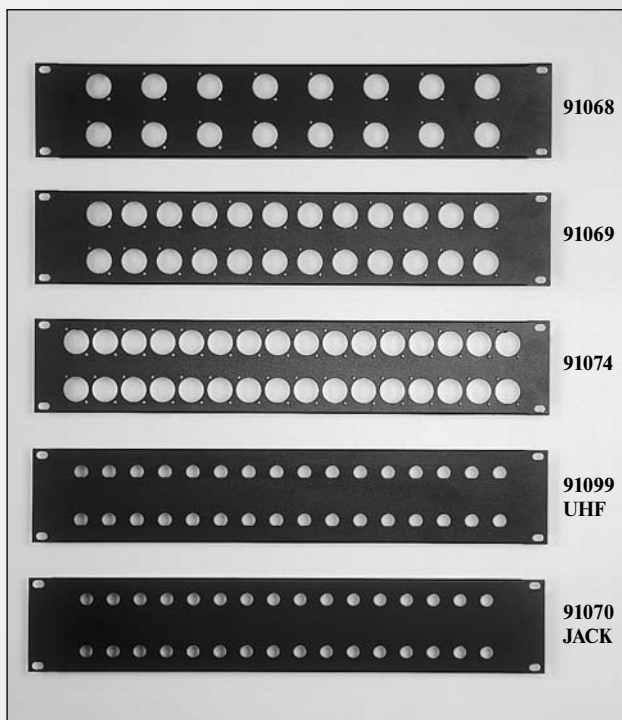
91078	1U-Upanel-Safety	0,10 kg
91079	2U-Upanel-Safety	0,17 kg
91080	3U-Upanel-Safety	0,23 kg
91081	4U-Upanel-Safety	0,28 kg

## PANELS



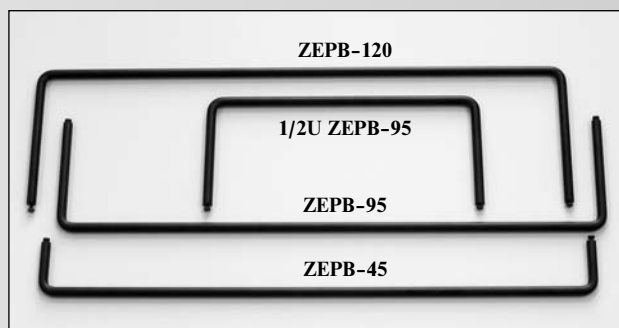
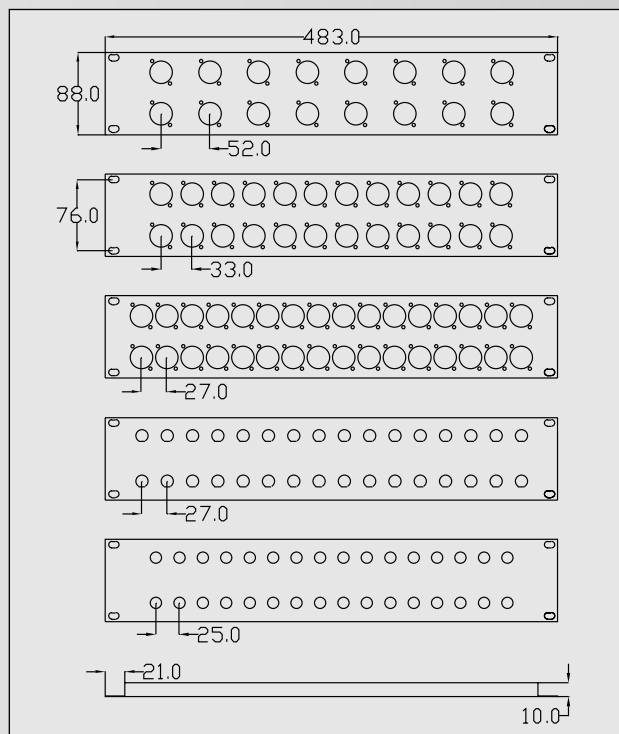
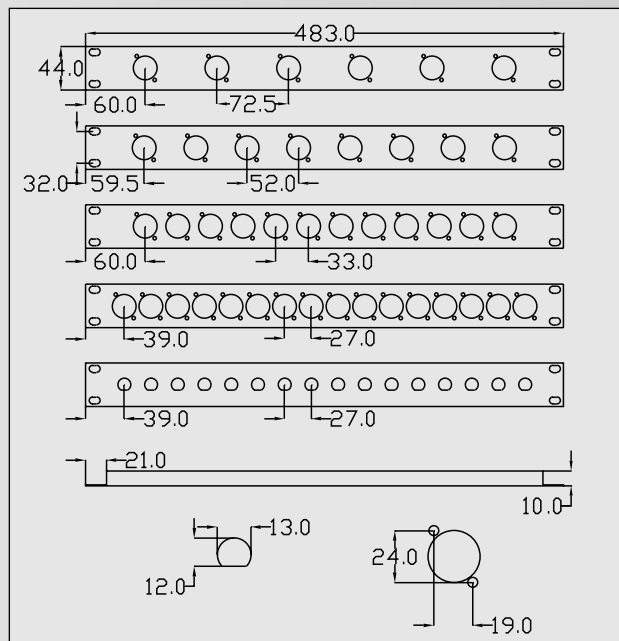
**Series: XPF** Flanged design utilizing 1.5 mm steel construction. Black powder coat finish. All panels XLR-D connector.

92029	1U-Upanel-6XLR	0,30 kg
92068	2U-Upanel-16XLR	0,37 kg
92069	2U-Upanel-24XLR	0,45 kg
92070	2U-Upanel-32Jack	0,54 kg
92071	1U-Upanel-12XLR	0,26 kg
92072	1U-Upanel-8XLR	0,29 kg
92073	1U-Upanel-16XLR	0,25 kg
92074	2U-Upanel-32XLR	0,40 kg
92098	1U-Upanel-16UHF	0,30 kg
92099	2U-Upanel-32UHF	0,62 kg
92205	1U-Upanel-10XLR	0,27 kg
92210	1U-Upanel-Fe 16JACK	0,30 kg



**Series: XPA** The same design as XPF but constructed 1.6-2.0 mm aluminium. Black powder coat finish.

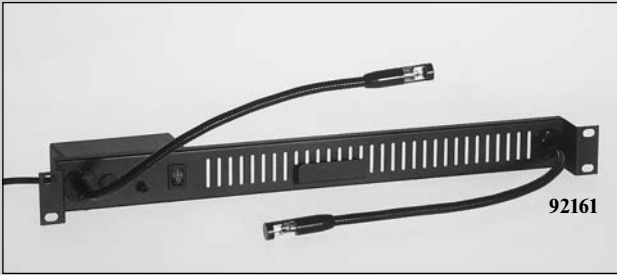
91068	2U-Upanel-16XLR	0,21 kg
91069	2U-Upanel-24XLR	0,20 kg
91070	2U-Upanel-32JACK	0,24 kg
91071	1U-Upanel-12XLR	0,14 kg
91072	1U-Upanel-8XLR	0,16 kg
91073	1U-Upanel-16XLR	0,14 kg
91074	2U-Upanel-32XLR	0,19 kg
91098	1U-Upanel-16UHF	0,13 kg
91099	2U-Upanel-32UHF	0,24 kg
91205	1U-Upanel-10XLR	0,15 kg
91210	1U-Upanel-Al 16JACK	0,12 kg



**Series: ZEPB** To order the panel with ZEPB mark the letter „X” behind the panel order number. For example 92029X etc.

ZEPB-120	Tiebar for Patchbay - 120 mm	0,300 kg
ZEPB-95-1/2	Tiebar for Patchbay - 95 mm	0,200 kg
ZEPB-95	Tiebar for Patchbay - 95 mm	0,250 kg
ZEPB-120-1/2	Tiebar for Patchbay - 120 mm	0,150 kg
ZEPB-45	Tiebar for Patchbay - 45 mm	0,110 kg

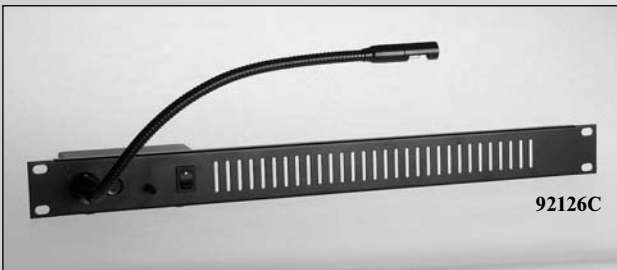
## GOOSENECK LAMPS



**Series: DLS** 19" rack mounting lamps with light regulation containing 1 or 2 gooseneck fixed or removable by CANON connector. Lamp can be countersunk in rack (type FX) or blank. Black powder coat finish.



92126	1 Lamp	0,80 kg
92126C	1 Lamp-Canon	0,80 kg
92127	2 Lamps	0,95 kg
92127C	2 Lamps-Canon	0,95 kg
92160	1 Lamp-FX	0,80 kg
92161	2 Lamps-FX	0,95 kg

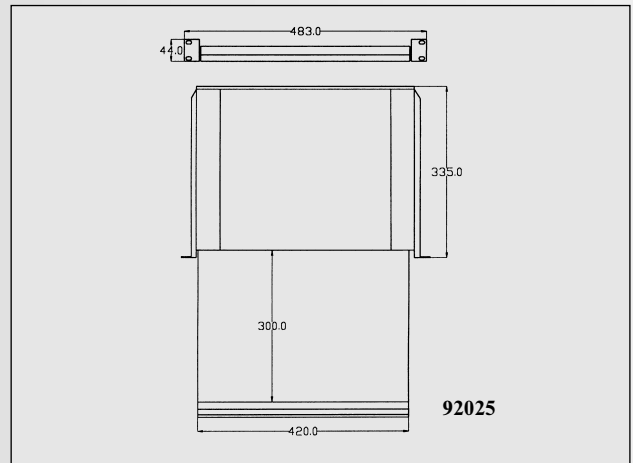


## SLIDING RACKSHELVES



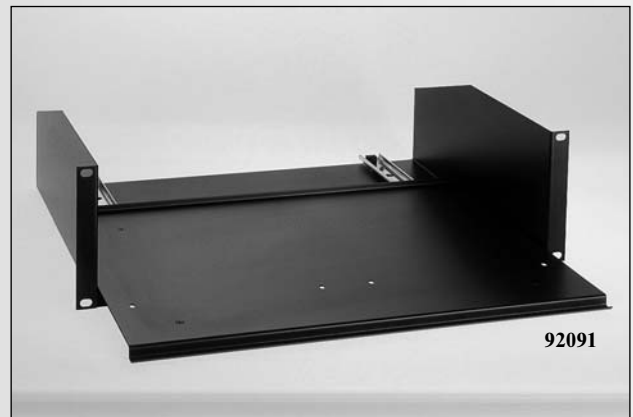
**Series: WT** Usable for keyboard or writing short notes. Black powder coat finish.

92025	Writing Table	3,44 kg
-------	---------------	---------



**Series: WTS** Heavy Duty sliding shelf. Latches in open or closed position. Full extension. Black powder coat finish.

92025L	Writing Table with latching	3,60 kg
--------	-----------------------------	---------



**Series: RA** These shelves allow equipment to be extended from the front of the rack by the means of telescopic slides. Black powder coat finish.

92091	3U-Rack Adapter-push out	4,61 kg
-------	--------------------------	---------

## RACKMOUNT STORAGE



**Series: DMB** Drawers cover without bottom. Faceplates with external handle and keylock. „F” indicates version with full out slides.

92013	1U-Drawer	5,65 kg
92031	2U-Drawer	6,30 kg
92031F	2U-Drawer	6,80 kg
92032	3U-Drawer	7,50 kg
92032F	3U-Drawer	7,80 kg
92033	4U-Drawer	8,60 kg
92033F	4U-Drawer	9,00 kg



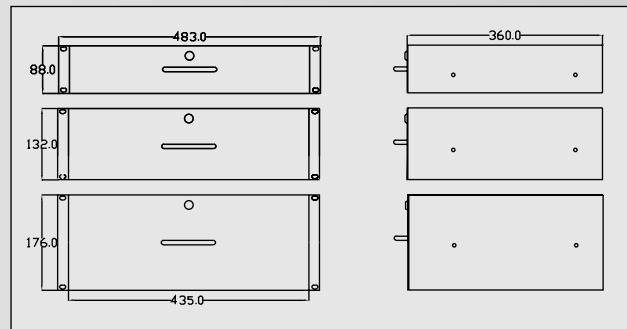
**Series: DMD** Drawers cover without bottom. Faceplates with latch. „F” indicates version with full out slides.

92042	2U-Drawer	5,74 kg
92042F	2U-Drawer	6,00 kg
92043	3U-Drawer	6,85 kg
92043F	3U-Drawer	7,10 kg
92044	4U-Drawer	7,95 kg
92044F	4U-Drawer	8,20 kg

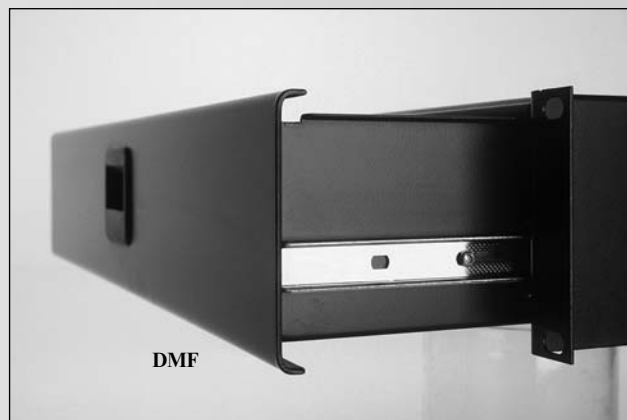


**Series: DMT** Microphone case with internal form insert for various microphone. Black powder coat finish.

92048F	6U Drawer plastic lock	11,14 kg
92049	Foam mic.insert	0,10 kg
92218F	6U Drawer inside handle	11,20 kg



Dimensions of all types of drawers.



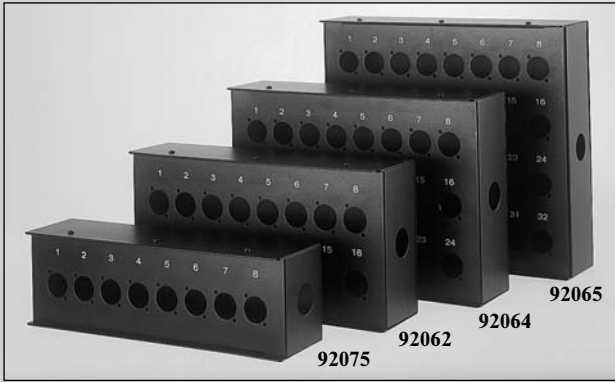
DMF - Safety faceplates with latch.



**Series: DMF** Drawers cover without bottom. Faceplates with latch (see the detail). „F” indicates version with full out slides.

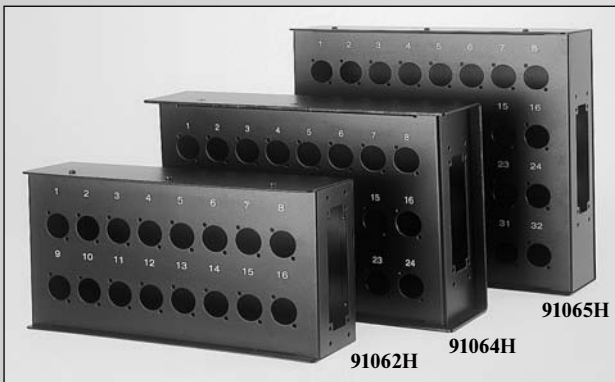
92045	2U-Drawer	5,90 kg
92045F	2U-Drawer	6,20 kg
92046	3U-Drawer	6,95 kg
92046F	3U-Drawer	7,20 kg
92047	4U-Drawer	8,05 kg
92047F	4U-Drawer	8,30 kg

## AUDIO STAGE BOXES



**Series: STL** Standard steel stagebox for small installation with round cut out or Harting cut out. Black powder coat finish.

92062	Stage box-16XLR	1,30 kg
92062H	Stage box-16XLR-Harting	1,22 kg
92063	Stage box-20XLR	1,60 kg
92064	Stage box-24XLR	1,65 kg
92064H	Stage box-24XLR-Harting	1,27 kg
92065	Stage box-32XLR	1,81 kg
92065H	Stage box-32XLR-Harting	1,80 kg
92075	Stage box-8XLR	0,95 kg



**Series: SAL** The same as STL series only aluminium construction.

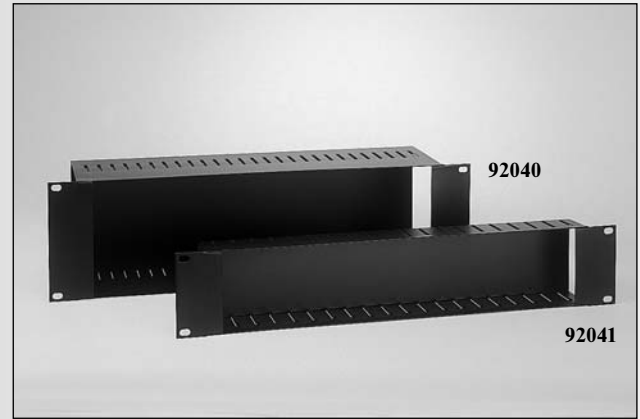
91062	Stage box-16XLR	1,13 kg
91062H	Stage box-16XLR-Harting	1,12 kg
91063	Stage box-20XLR	1,37 kg
91063H	Stage box-20XLR-Harting	1,37 kg
91064	Stage box-24XLR	1,37 kg
91064H	Stage box-24XLR-Harting	1,36 kg
91065	Stage box-32XLR	1,66 kg
91065H	Stage box-32XLR-Harting	1,65 kg
91075	Stage box-8XLR	0,86 kg



**Series: 19" SAL** 19" Stage boxes for professional use. Aluminium construction. Black powder coat finish.

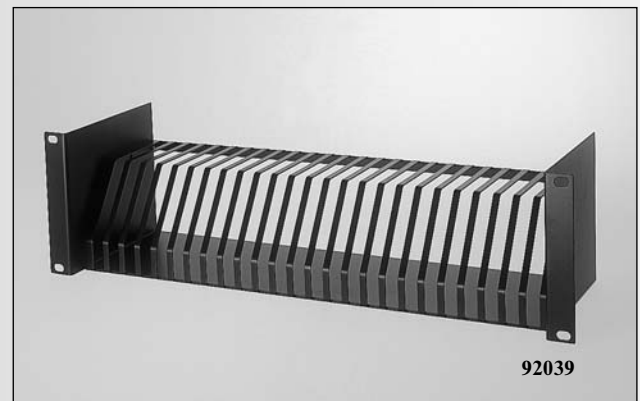
91056	Stage box-24XLR	2,30 kg
91057	Stage box-32XLR	2,80 kg
91058	Stage box-40XLR	3,50 kg
91059	Stage box-48XLR	3,90 kg

## MEDIA STORAGE



**Series: MRA** CD, Tape, DAT adapters available on 2U or 3U. Black powder coat finish.

92040	3U-Rack Adapter 26-CD	1,40 kg
92041	2U-Rack Adapter 19-DAT	0,75 kg



92037	3U-Rack Adapter 18-TAPE	2,73 kg
92038	3U-Rack Adapter 19-TAPE	2,83 kg
92039	3U-Rack Adapter 25 CD	1,61 kg

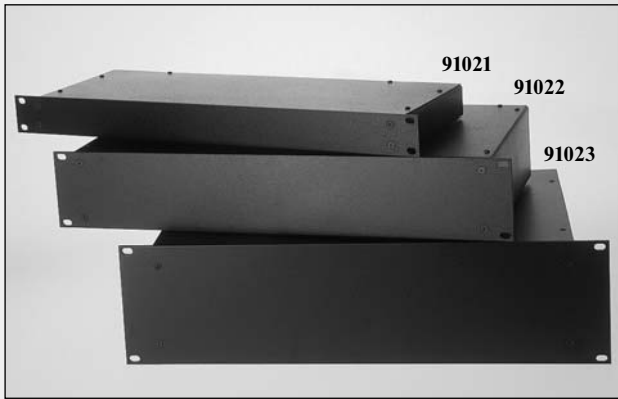
## OPEN BOXES



**Series: OBL** Storage for personal items with latch. Black powder coat finish.

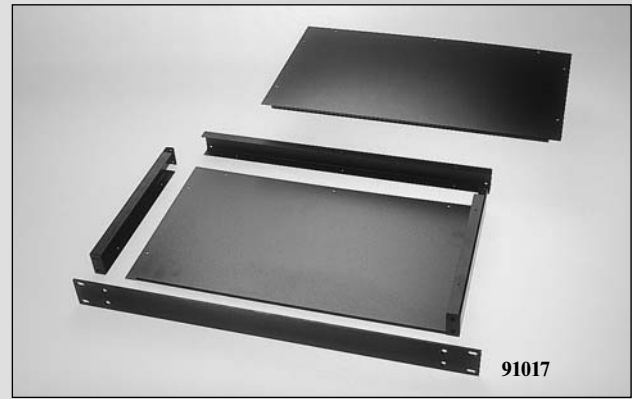
92092	2U-Open box-200 mm	3,76 kg
920920	2U-Open box-250 mm	3,90kg
92093	3U-Open box-200 mm	4,67 kg
920930	3U-Open box-250 mm	4,95 kg
92094	4U-Open box-200 mm	5,58 kg
920940	4U-Open box-250 mm	5,90 kg
92095	5U-Open box-200 mm	6,49 kg
920950	5U-Open box-250 mm	6,60 kg
92096	6U-Open box-200 mm	7,38 kg
920960	6U-Open box-250 mm	7,90 kg

## CASES



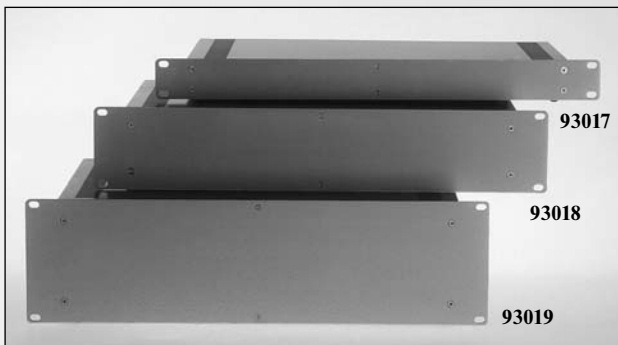
**Series: BCP** Available in two depths 240 mm and 300 mm. Cases are supplied with 3 mm aluminium faceplate. Black powder coat finish.

91021	1U-Case-240 mm	2,54 kg
91022	2U-Case-240 mm	3,23 kg
91023	3U-Case-240 mm	3,83 kg
91024	4U-Case-240 mm	4,43 kg
92021	1U-Case-300 mm	3,22 kg
92022	2U-Case-300 mm	4,05 kg
92023	3U-Case-300 mm	4,84 kg
92024	4U-Case-300 mm	5,80 kg



**Series: ACP** The same option as BCP series. Removable sides and back panels are perfect for do-it-yourself. Black powder coat finish.

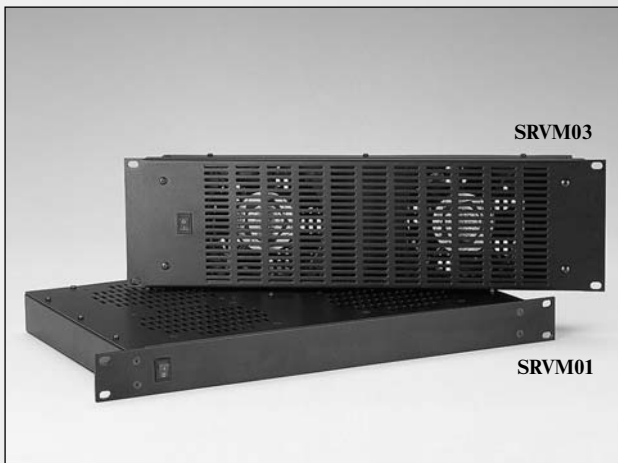
91017	1U-Case-240 mm	2,54 kg
91018	2U-Case-240 mm	3,23 kg
91019	3U-Case-240 mm	3,83 kg
91020	4U-Case-240 mm	4,43 kg
92017	1U-Case-300 mm	3,24 kg
92018	2U-Case-300 mm	3,98 kg
92019	3U-Case-300 mm	4,84 kg
92020	4U-Case-300 mm	5,80 kg



**Series: VCP** The same option as BCP series. Removable ventilation top and bottom parts natural aluminium 3 mm front panel. Black powder coat finish.

93017	1U-Case-240 mm	2,54 kg
93018	2U-Case-240 mm	3,23 kg
93019	3U-Case-240 mm	3,83 kg
93020	4U-Case-240 mm	4,43 kg
93021	1U-Case-300 mm	3,24 kg
93022	2U-Case-300 mm	3,98 kg
93023	3U-Case-300 mm	4,84 kg
93024	4U-Case-300 mm	5,80 kg

## RACK – ACCESSORIES

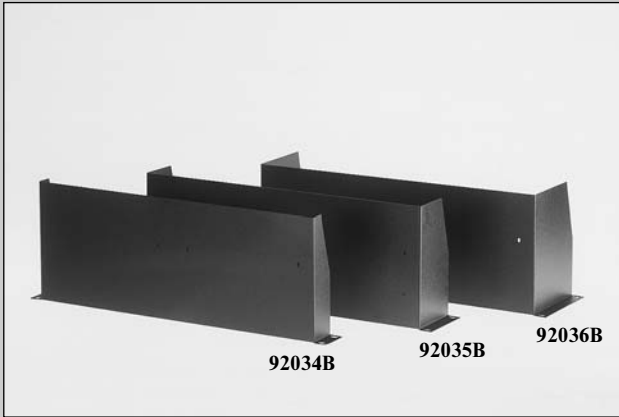


SRVM01	1U-Ventilation modul horizontal
SRVM03	3U-Ventilation modul vertical



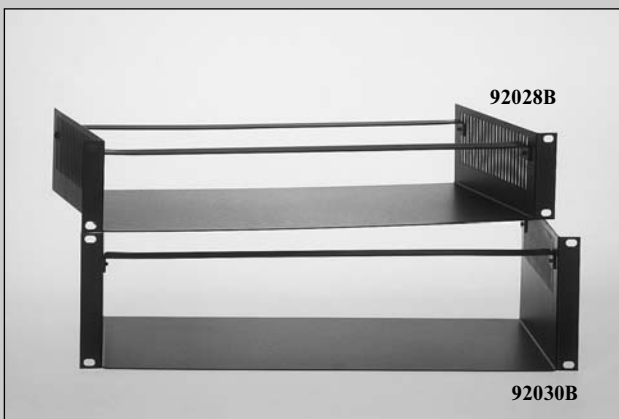
SRSD03	3U-Rack service doors
SRSD04	4U-Rack service doors
SRSD05	5U-Rack service doors
SRSD06	6U-Rack service doors

## RACK ADAPTERS



**Series: RAF** Rack mounting shelves which allow for permanent mounting of non racking equipment. Constructed from 1.5 mm steel. Black powder coat finish.

92034A	1U-Rack Adapter 170 mm	1,05 kg
92034B	1U-Rack Adapter 250 mm	1,70 kg
92034C	1U-Rack Adapter 300 mm	1,91 kg
92034D	1U-Rack Adapter 370 mm	2,45 kg
92035A	2U-Rack Adapter 170 mm	1,29 kg
92035B	2U-Rack Adapter 250 mm	2,00 kg

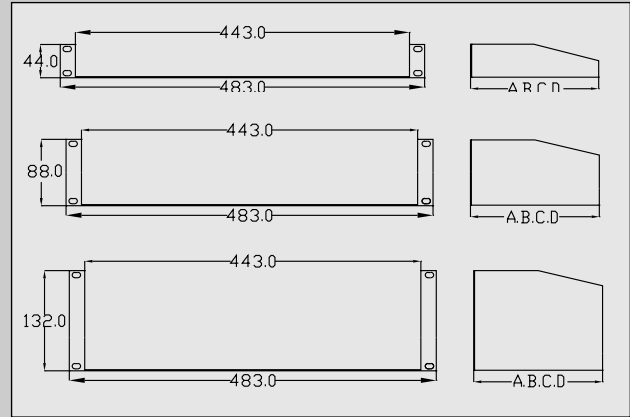


**Series: UNI** Rack mounting shelves which allow mount virtually any equipment to be rack mounted. Black powder coat finish.

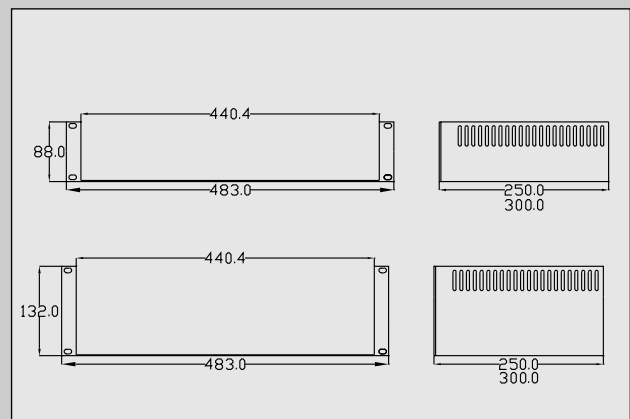


**Series: MFA** Rack mounting shelves which allow mount virtually any equipment to be rack mounted. Black powder coat finish

93028	1U-Rack Adapter MFA	1,60 kg
-------	---------------------	---------



92035C	2U-Rack Adapter 300 mm	2,26 kg
92035D	2U-Rack Adapter 370 mm	2,77 kg
92036A	3U-Rack Adapter 170 mm	1,35 kg
92036B	3U-Rack Adapter 250 mm	2,35 kg
92036C	3U-Rack Adapter 300 mm	2,72 kg
92036D	3U-Rack Adapter 370 mm	3,36 kg



92028B	2U-Rack Adapter UNI-250 mm	2,20 kg
92030B	3U-Rack Adapter UNI-250 mm	2,50 kg
92028C	2U-Rack Adapter UNI-300 mm	2,60 kg
92030C	3U-Rack Adapter UNI-300 mm	3,00 kg

**uller**  
International Communication

Tønsberg, NORWAY  
Tel: +47 33384600  
www.uller.no  
e-mail: uller@uller.no